

NACHSHON

FURNITURE DESIGN HOUSE

RIBBON

SOFA

+972 (0)54 729 92 88

nachshon.workshop@gmail.com

WWW.NACHSHONSTUDIO.COM

Barzilai 12, Tel-Aviv

Herzl 84, Haifa

The elegant and clean appearance of the **Ribbon** sofa is obtained through the minimalist steel frame, made with a continuous line of bent sheet of steel, on top of which padded cushions are placed (leather/fabric). You can assemble a customized unit by combining the different modules of the sofa and accessories according to your space and needs.







After confirming the first price assessment, the customer will receive an accurate quote according to the finishing details and dimensions. The design process, which includes simulation of the sofa, will be carried out after an advance payment (usually 10% of the total amount). There is no limit to the amount of time or number of options in the simulation process.

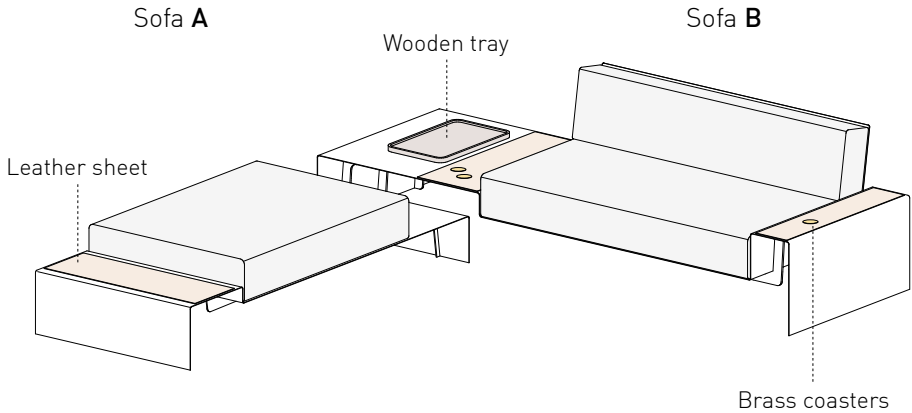




Combinations (optional)

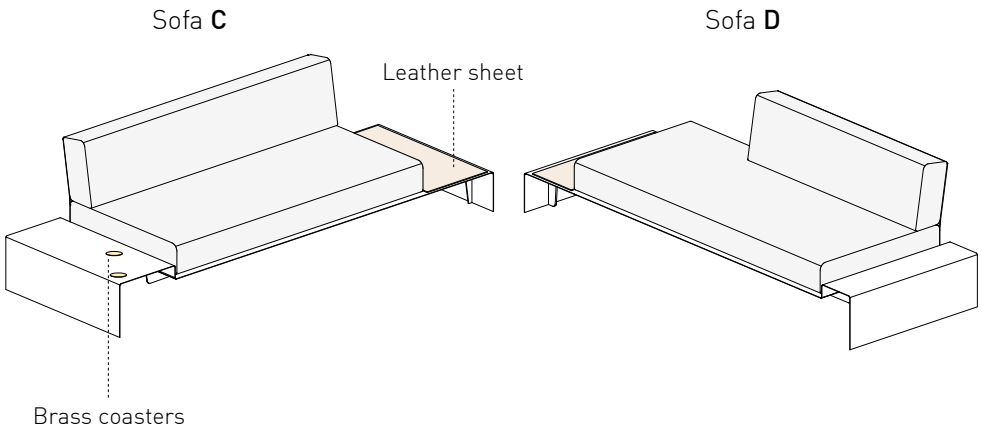
Sofa **A**: Double seat sofa with armrest and low side table additions.

Sofa **B**: Double seat sofa with backrest, side table and armrest additions.

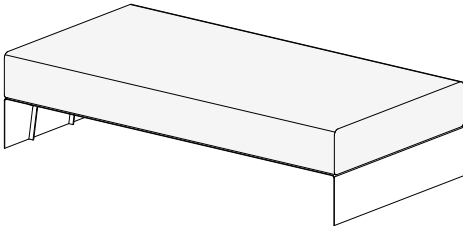


Sofa **C**: Three seat sofa with backrest, and two side table (in different heights).

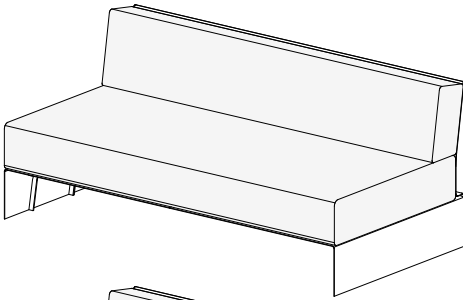
Sofa **D**: Three seat sofa with backrest (2/3 of the mattress length) and a armrest and low side table addition.



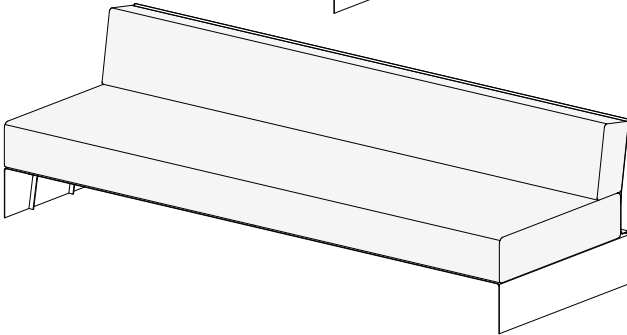
Elements



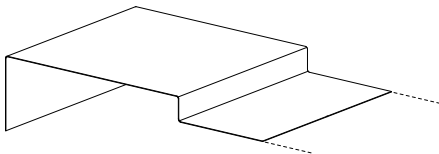
.....
Double seat sofa
without backrest
(Steel structure)



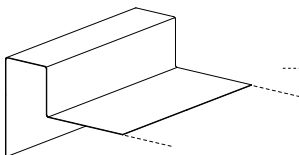
.....
Double seat sofa
with backrest
(Steel structure and
wooden detail)



.....
Three seat sofa
with backrest
(Steel structure and
wooden detail)



.....
Side table addition
(Steel structure)



.....
Armrest addition
(Steel structure)



Explore more